



PA version shown with Ex e junction box

Features

- **Ambient temperature range:** Certified for use from -20°C to +55°C (-4°F to +131°F).
- **Purge flow rate:** Adjustable via user selectable orifice plates
Size 1: 10- 225 NI/min (0.4-8 SCFM) (Enclosure vol. up to 1.35m³/ 60ft³)*
- **Application:** Suitable for enclosures with an internal source of release requiring continuous dilution flow in line with local codes and standards.
- **Clear Visual Status Indication:** Local indicators for "Alarm/ Pressurised" and "Purging".
- **Direct enclosure mounting:** Requires no interconnecting piping
- **316L Stainless Steel enclosure & fittings:** Excellent resistance to corrosion for harsh environments.
- **Full Compliance with Standards** - Direct purge flow measurement at the enclosure outlet (SAU).
- **Global Approvals** – IECEx; ATEX; UL; FM; INMETRO; EAC; KO-SHA, JPEX, PESO
- **Signal outputs:** Power interlock and alarm

PA option: volt-free contact closures terminated inside an Ex e junction box.

IS option: outputs are suitable for connection to intrinsically safe circuits

PO option: Pneumatic outputs suitable for connection to a MiniPurge Interface Unit (MIU)

* Enclosure volume calculations based on 30 minute purge time . Figures in m³ based on 5 volume changes, figures in ft³ based on 4 volume changes, in line with applicable codes and standards.

Operation

The MiniPurge system provides a full purge and pressurisation system for Class I Div 1 Groups A-D and/ or Zone 1 IIC approval. When fitted to a suitable enclosure, the system enables regular electrical equipment to be operated safely in a hazardous location.

Initially, the system allows a high flow of purge gas, usually compressed air, and measures that flow at the enclosure outlet. Providing that flow is sufficient, the purge timer is started. After completion of the purge time, the flow of protective gas continues at the selected rate. This flow may be required to dilute an internal source of hazardous gas release. Internal pressure is thus maintained above external pressure, preventing potentially explosive gas/vapour from entering the enclosure. In this state, the system interlock allows external power to be supplied to internal equipment, either directly or via a separate interface unit.

For enclosures with an internal source of release, the CF system is typically used to dilute any concentration to below 25% LEL/LFL, in line with applicable Codes and Standards.

System Components

The system comprises the Control Unit (CU), Relief Valve (RLV), and Spark Arrestor Unit (SAU). The Control Unit contains the pneumatic logic to monitor and control enclosure air flow, pressure and purge timing, and provides the system outputs. The RLV provides over-pressure protection for the enclosure .

The SAU allows the flow of purge gas from the enclosure and provides flow measurement.

Certification

Europe: SIRA 01 ATEX 1295X

International: IECEx SIR 07.0027X

Brazil: INMETRO TUV 12.1462X

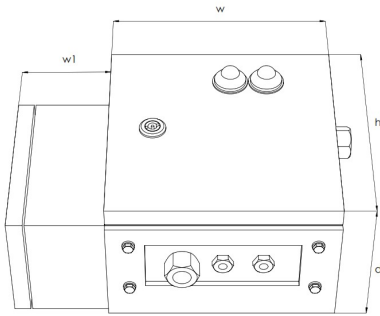
USA/CAN: FM 1X8A4AE , UL E190061

Korea: KOSHA 14-AV4B0-0215X (Size 1); 19-AVBO-0103 (Size 2)

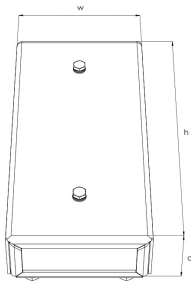
Russia: EAC RU C-GB. AE61.B

System Data X-CF

Control Unit



Relief Valve



	Size 1
Dimensions	CU / RLV
Height h	180/133mm (7/5.2")
Width w	240/62mm (9.5/2.4")
Width w1*	102mm (4")
Depth d	150/33mm (6/1.3")
Weight	5.5/3kg (12/6.6lbs)
SAU diam	55mm (2.2")

* w1 dimension applicable only for /PA configuration with Ex e JB

Enclosure & Mounting:

CU, SAU & RLV Housing & external process connections 316L stainless steel.

Direct enclosure mount. Wall mounting bars optional.

Process Connections:

Purge inlet: 1/2" NPT (F), recommended supply pipe: 1/2" I.D. min.

Purge supply capacity—at least 1.5 times certified flow rate

Purge outlet to enclosure: 1/2" NPT (F).

Signals: 1/8" NPT (F).

Purge gas: Clean Dry Air or Inert Gas.

Supply pressure 4-8 barg (58-116psi).

Technical Specifications X-CF

07 1 X CF / ss / ET / PA / Other options

Output signals:

PA= Ex e terminal box

IS=Suitable for IS / Non-incendive circuits.

PO=Pneumatic outputs

Purge Timer:

ET= Electronic timer with IS battery

Construction:

ss= 316 stainless steel enclosure

Pressurisation method:

CF: Continuous Flow after purge

Purge system:

X: Zone 1 / NFPA 496 Class I Div 1

System flowrate:

1= 10 to 225 NI/min (0.4–8 SCFM)

Option codes:

Wall mounting bars: /WM (1)

Common Data

- Intrinsically safe Electronic Timer, range 1-99 mins. battery powered.
- Continuous flow rate via selectable orifice plates in Spark Arrestor.
- PA option system outputs are volt-free contact closures terminated in Ex e Junction box, with:
 - Power= 250 Vac 4 Amp (AC15) DPNO Ex d IIC T5
 - Alarm = 250 Vac 4 Amp (AC15) SPCO Ex d IIC T5
 - (Note this Ex e option is not approved for use in USA or Canada).
- Enclosure minimum pressure sensor setting 0.5 mbarg (2"wc).
- Relief Valve Lift-Off pressure: 10mbarg (4"wc).
- Certification/Approvals:
 - ATEX: Ex [pxb] ia IIC T5 Gb
 - IECEx: Ex [pxb] ia IIC T5 Gb
 - INMETRO: Ex [pxb] ia IIC T5 Gb

02112021